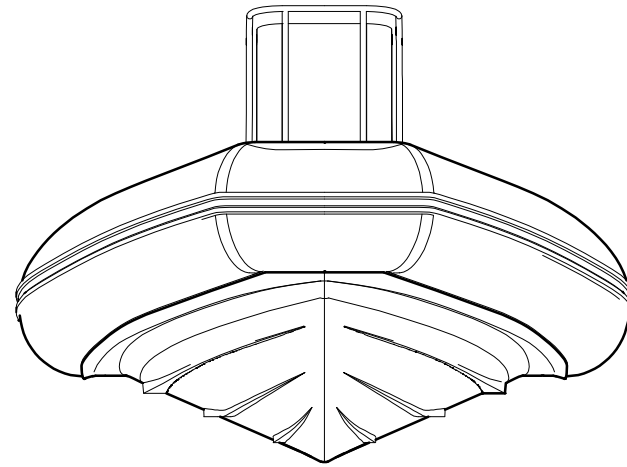
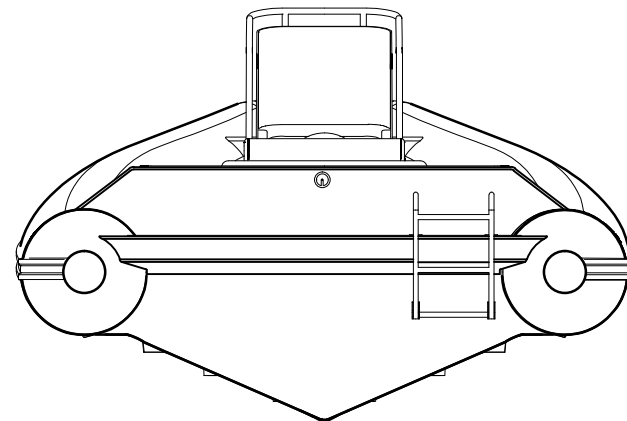


GENERAL PARTICULARS

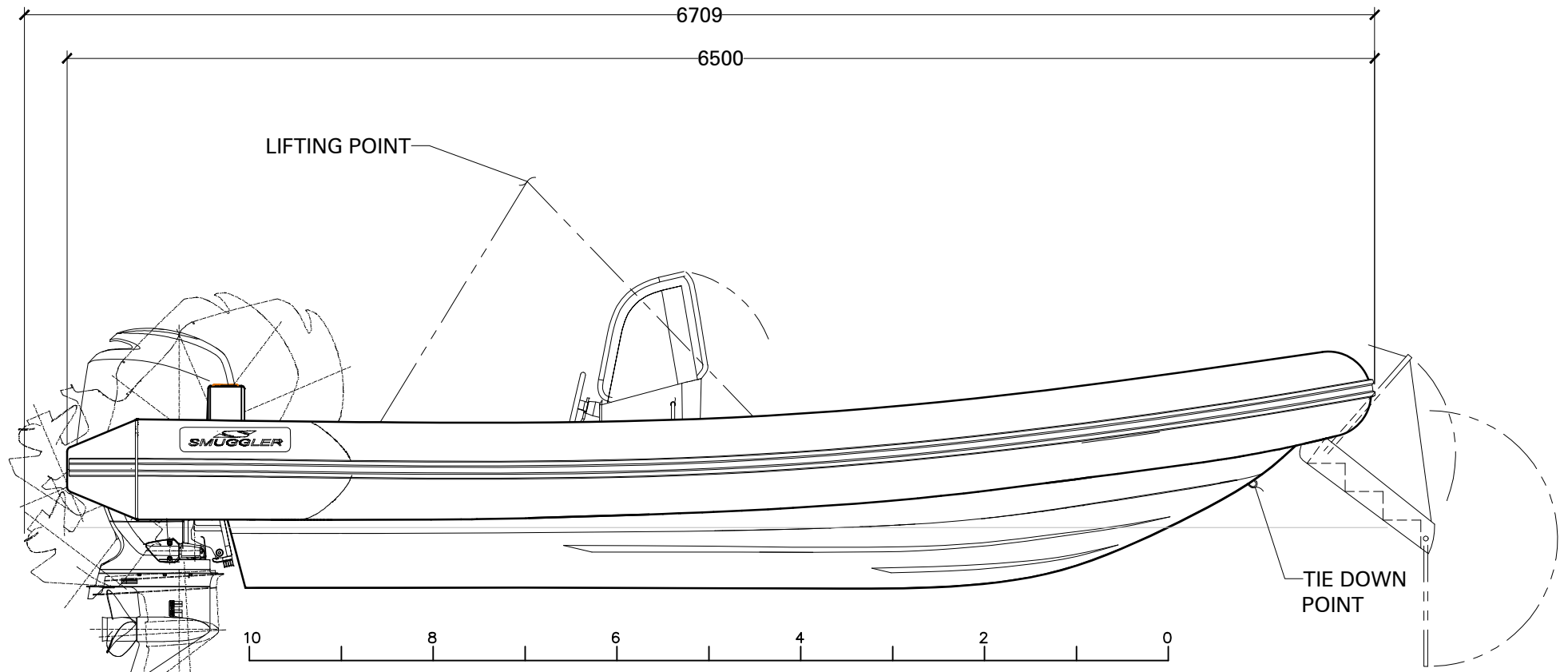
LENGTH OVERALL (EXCLUDING OUTBOARD) 6.50m
 BEAM OVERALL 2.42m
 DISPLACEMENT 1500 KG
 POWERING YAMAHA F150



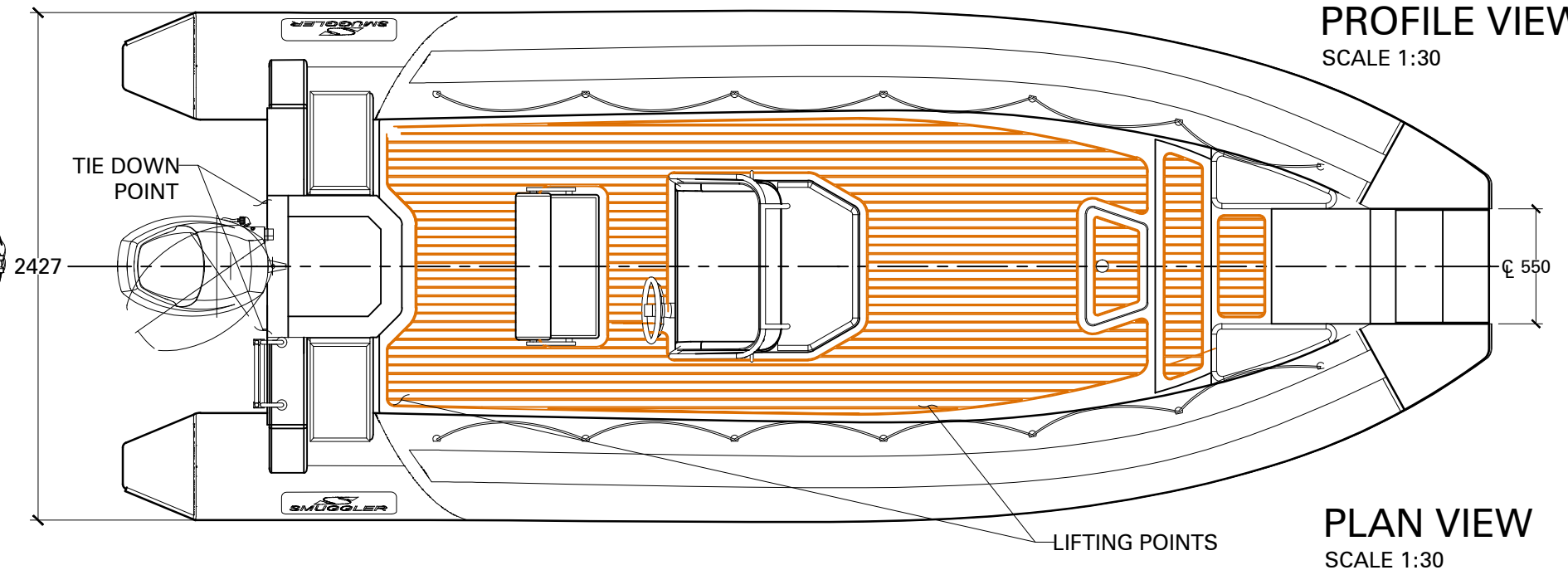
BOW VIEW
SCALE 1:30



STERN VIEW
SCALE 1:30



PROFILE VIEW
SCALE 1:30



PLAN VIEW
SCALE 1:30



SMUGGLER MARINE LIMITED
 7 ENTERPRISE DRIVE
 HENDERSON,
 WAITAKERE CITY
 AUCKLAND, NEW ZEALAND
 +64 9 838 9024, info@smuggler.co.nz

PLEASE NOTE:
 ALL RIGHTS TO THIS DESIGN AND ANY DERIVATIVE WORKS REMAIN SOLELY THE PROPERTY OF SMUGGLER MARINE LTD. A WRITTEN LICENSING AGREEMENT FROM SMUGGLER MARINE LTD IS REQUIRED TO USE, COPY, OR DISTRIBUTE THESE DOCUMENTS.
 THE RIGHTS OF SMUGGLER MARINE WILL BE ENFORCED AND DAMAGES SOUGHT UNDER THE NEW ZEALAND COPYRIGHT ACT OF 1996 SHOULD THESE RIGHTS BE INFRINGED BY ANY PERSONS OR COMPANY

Revisions				
Rev	Date	Revision Details	Dwn	Chk
-	--/--/2013	----	--	Chk

TITLE: GENERAL ARRANGEMENT		SHT:
MODEL: STRATA 650 - Single Outboard		1 OF 1
CLIENT: --	DATE: 14 OCT 2015	SCALE: 1:30
DWG NUMBER: P15-199-DES-01-003		