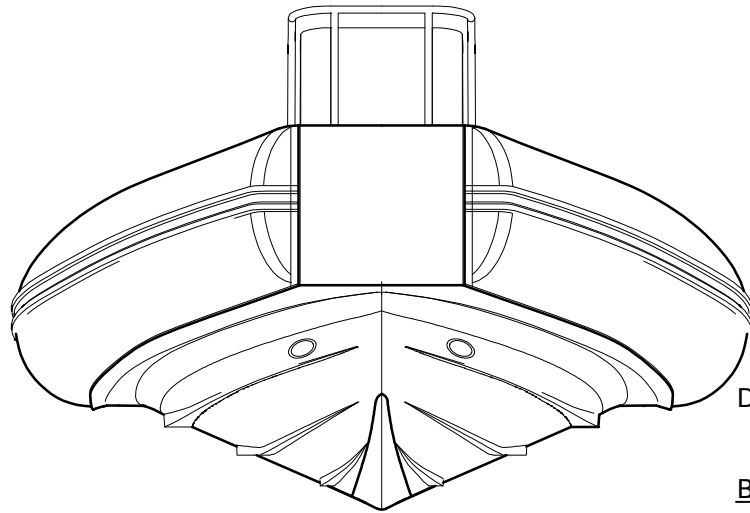


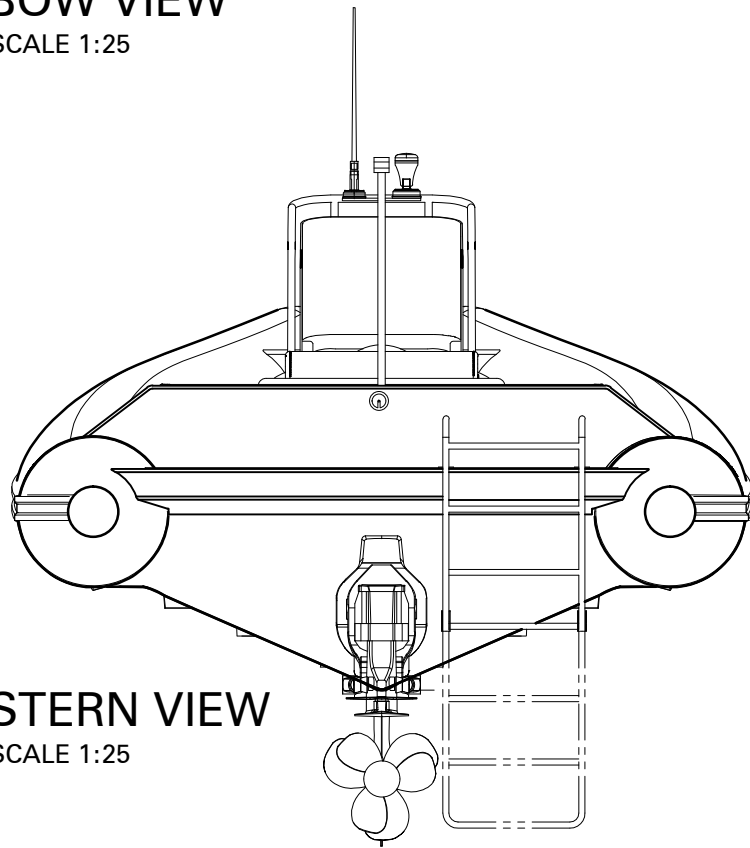
YACHTSTUDIO⁺

NAVAL ARCHITECTURE AND YACHT DESIGN

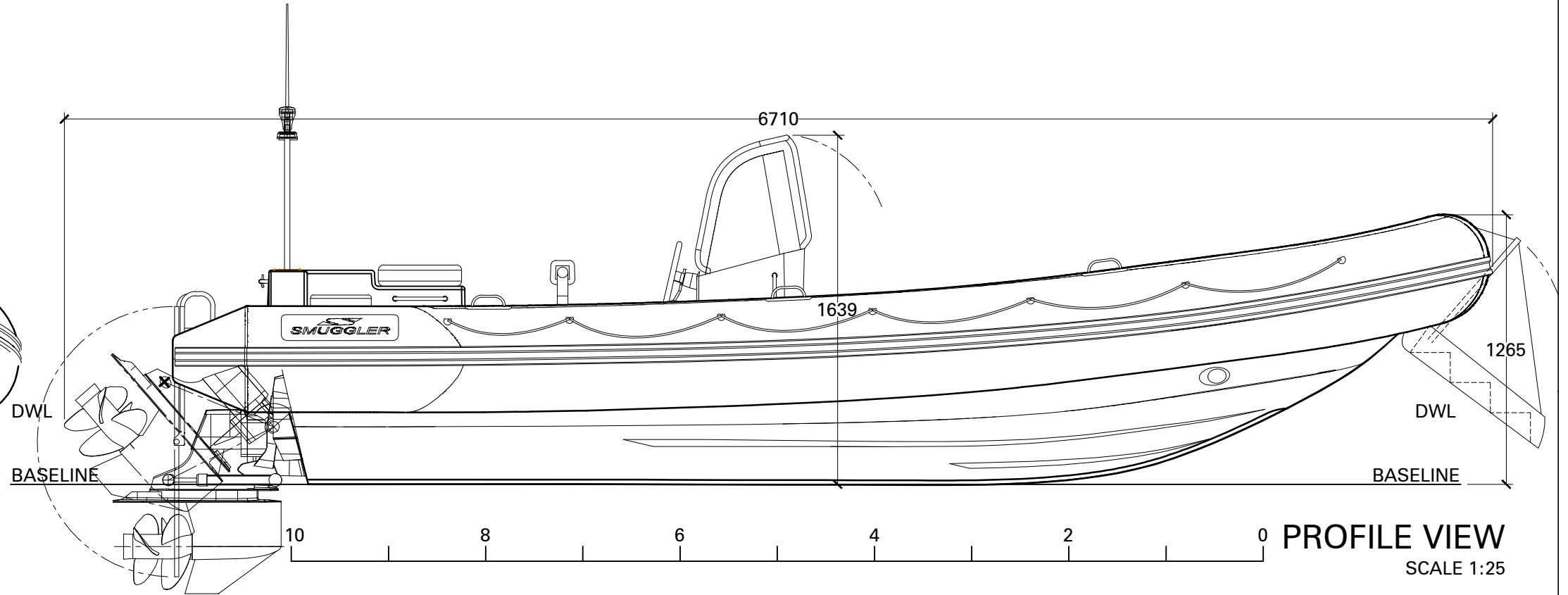
YACHT STUDIO LTD
 11 TOPLISS DRIVE, TORBAY, AUCKLAND, 0632, NZ
 P +64 9 473 5137 M +64 21 260 9911
 E info@yacht-studio.com W www.yacht-studio.com



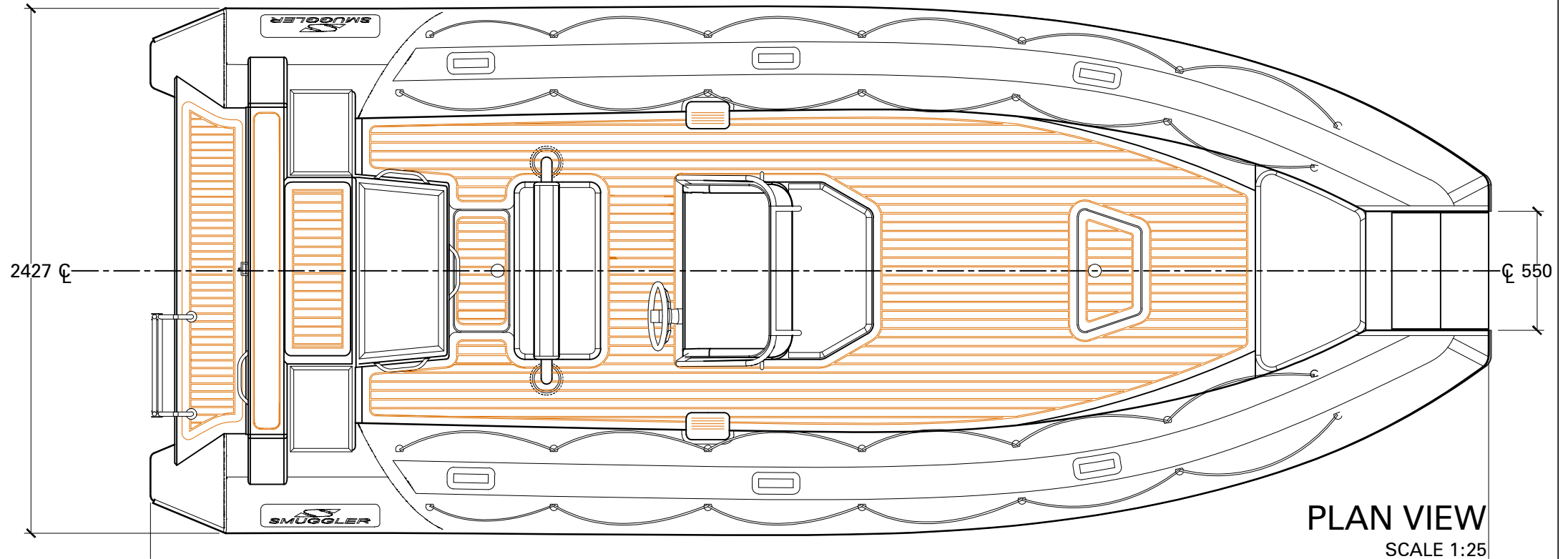
BOW VIEW
SCALE 1:25



STERN VIEW
SCALE 1:25



PROFILE VIEW
SCALE 1:25



PLAN VIEW
SCALE 1:25



SMUGGLER MARINE LIMITED
 7 ENTERPRISE DRIVE
 HENDERSON,
 WAITAKERE CITY
 AUCKLAND, NEW ZEALAND
 +64 9 838 9024, info@smuggler.co.nz

PLEASE NOTE:
 ALL RIGHTS TO THIS DESIGN AND ANY DERIVATIVE WORKS REMAIN SOLELY THE PROPERTY OF SMUGGLER MARINE LTD. A WRITTEN LICENSING AGREEMENT FROM SMUGGLER MARINE LTD IS REQUIRED TO USE, COPY, OR DISTRIBUTE THESE DOCUMENTS.
 THE RIGHTS OF SMUGGLER MARINE WILL BE ENFORCED AND DAMAGES SOUGHT UNDER THE NEW ZEALAND COPYRIGHT ACT OF 1996 SHOULD THESE RIGHTS BE INFRINGED BY ANY PERSONS OR COMPANY

Revisions				
Rev	Date	Revision Details	Dwn	Chk
A	20/02/13	DRAWING UPDATED WITH CLIENT REQUESTS		RJV

TITLE: T/T S/Y IMAGINE		SHT:
MODEL: SMUGGLER 630		1 OF 1
CLIENT: S/Y IMAGINE	DATE: 14 FEB 2013	SCALE: 1:25
DWG NUMBER: P13-160-DES-01-001		